

GP SERIES SOLAR SYSTEM CONTROLLER



This intelligent, multi-purpose solar charge and discharge controller has a very friendly interface of fixed LCD display. Various control parameters can be flexibly set, fully meet your various application requirements.

- Vivid LCD graphic symbols
- Simple button operation
- Automatic identification of system voltage level
- Intelligent PWM charging mode
- Adjustable charge-discharge parameters
- Automatic temperature compensation
- Settable operation mode of load
- Battery reverse-discharge protection
- Battery low voltage disconnection(LVD)
- Battery reverse connection protection
- Overcurrent protection
- USB output

GP SERIES LCD CONTROLLERS



Model: SLC-GP1220E

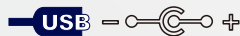
Rated Voltage:12V
Rated Current:20A
Solar input:1
DC Output port:1A/12Vx3
USB port:1A/5Vx2

Packing:
50pcs/carton
Carton size:
515mmx375mmx205mm
Gross weight:16Kg



Model: SLC-GP1220EU

SLC-GP1220E x1
3W LED Bulb with 3m cable x3
Size: 260mmx200mmx64mm
Gross weight: 0.513Kg
Packing: 30pcs/Carton
Carton size: 780mmx410mmx295mm
Gross weight: 16.8Kg



Model: SLC-GP2410E/2420E

Rated Voltage:
12V24V Auto identification
Rated Current: 10A,20A
USB port: 1A/5Vx2

Packing: 40pcs/carton
Carton size: 545mmx425mmx205mm
Gross weight: 17.8Kg



Model: SLC-GP2430E

Rated Voltage:
12V24V Auto identification
Rated Current: 30A
USB port: 1A/5Vx2

Packing: 40pcs/carton
Carton size: 545mmx425mmx205mm
Gross weight: 17.8Kg

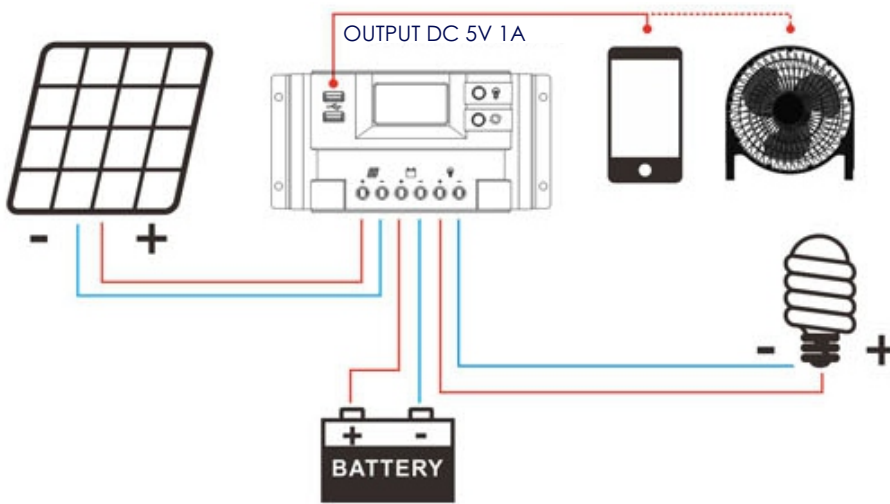


Model: SLC-GP2450E/2460E

Rated Voltage:
12V24V Auto identification
Rated Current:50A,60A

SLC-GP2450E Packing: 24pcs/carton
Carton size: 545mmx425mmx205mm
Gross weight: 16.8Kg
SLC-GP2460E Packing: 24pcs/carton
Carton size: 545mmx425mmx205mm
Gross weight: 20.6Kg

GP SERIES SOLAR SYSTEM CONTROLLER



Optimized circuit design



SCM accurate control



Selection of quality materials

TECHNICAL DATA

MODEL	SLC-GP1220E	SLC-GP2410E	SLC-GP2420E	SLC-GP2430E	SLC-GP2450E	SLC-GP2460E
INPUT						
PV Voltage	≤50V		≤50V		≤100V	
Rated Current	20A	10A	20A	30A	50A	60A
OUTPUT						
System Voltage	12V	12/24V Auto				
High Voltage Disconnection	15.50Vx1/x2(0.5V)	16.00Vx1/x2(0.5V)			16.00Vx1/x2(0.5V)	
Rated Discharging Current	20A	10A	20A	30A	20A	30A
No Load Loss	≤13mA	≤13mA	≤13mA	≤13mA	≤14mA	≤14mA
Charge Loop Voltage Drop	≤0.31V	≤0.21V	≤0.21V	≤0.24V	≤0.22V	≤0.22V
Discharge Loop Voltage Drop	≤0.19V	≤0.12V	≤0.12V	≤0.10V	≤0.12V	≤0.12V
Charging Mode	PWM Multistage (bulk,absorption,float)	PWM 4-stage bulk,absorption,float,equalized			PWM Multistage(bulk,absorption,float)	
Float Charging Voltage	13.8V(12.8V~14.2V)x1/x2	13.8V(13V~15V)x1/x2			13.8V(12.8V~14.2V)x1/x2	
Absorption Charging Voltage	14.4V(13.6V~15.2V)x1/x2	14.4V(13V~15V)x1/x2			14.4V(13.6V~15.2V)x1/x2	
Duration Of Absorption Charging Voltage	2 hours	2 hours			2 hours	
Low Voltage Protection	10.7V(10.5V~12V)x1/x2	10.7V(10V~14V)x1/x2			10.8V(10.5V~12V)x1/x2	
Low Voltage Reconnection	12.6V(11.5V~13V)x1/x2	12.6V(10V~14V)x1/x2			12.6V(11.5V~13V)x1/x2	
USB Output	5V, 1A	5V, 1A			None	
OTHER						
Installing Cables Size	≤2.5mm ²	≤6mm ²	≤16mm ²	≤25mm ²	≤25mm ²	
Working Temperature	-20°C~55°C	-20°C~55°C	-20°C~55°C	-20°C~55°C	-20°C~55°C	
Dimension(LxWxH)	168x88x28mm	188x95x40mm	188x95x40mm	188x125x48.5mm	(56mm for 60A)	
Net Weight	220g	355g	360g	562g	701g	